



LCC30H-A
LCC30H-AT
LCC30H-AC

LCC30H-ACT
LCC30H-AT2
LCC30H-ACT2

LCC30H
LCC30HT
LCC30HC

LCC30HCT
LCC30HT2
LCC30HCT2

Product Data Sheet

30-Device iPad®, Chromebook™, Tablet, and Laptop Cart—Steel Top, Fixed Shelves, and Hinged Doors



LCC30H-A, Front

About the timers:

4-bank timer: Every 15 minutes, CARTTIMER1 cycles between 4 banks (each bank is one outlet). In one hour, each bank is on and charging for 15 minutes.

2-bank timer: UCCTIMER2 cycles between 2 banks (each bank is one outlet).

Basic Features

- Secure, charge, store, and protect up to 30 iPads, Chromebooks, tablets, laptops or other devices in our one-size-fits-all cart.
- One-size-fits-all shelf has slots that can accommodate most devices on the market, so when you upgrade devices, you won't need to buy a new cart.
- Single Carts hold more in a smaller footprint, while still offering a usable smooth metal working surface that can serve as a podium.
- Ships assembled or unassembled, depending on your needs.
- Provides superior cable management for laptops and Chromebooks.
- This high-quality cart is made of durable, sturdy metal. It rivals competitors' carts that cost much more.
- Locking rear access panel.
- LCC30H-AT includes cart plus a 4-bank timer (CARTTIMER1).
- LCC30H-AT2 includes cart plus a 2-bank timer (UCCTIMER2).
- The timers can also be ordered separately if you order the LCC30H-A now and then decide you need a timer later.
- Includes (2) locking and (2) swiveling 3" casters.
- Includes three 12-outlet power strips.
- When you need to store and charge multiple laptops, Chromebooks, iPads, tablets, or other devices in your classroom, hospital, airport, or restaurant, this cart makes the grade.



30-Device iPad, Chromebook, Tablet, and Laptop Cart



Front of cart, closed



Back of cart, closed



Front of cart, open

30-Device iPad, Chromebook, Tablet, and Laptop Cart



*Front of cart, open, populated,
detailed view*



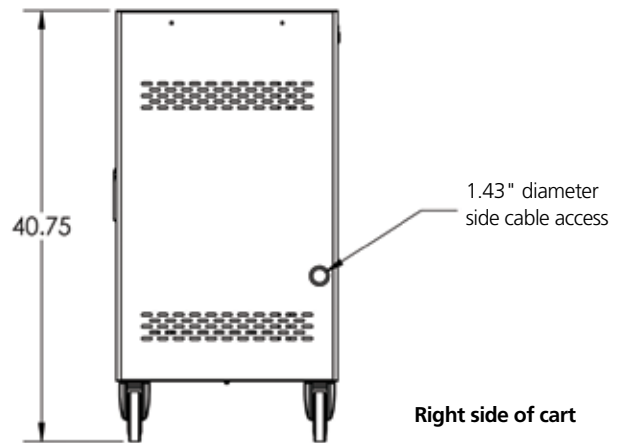
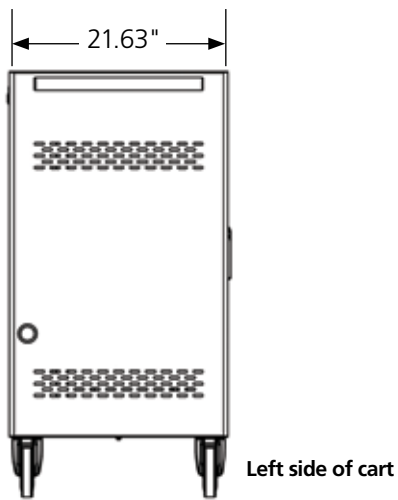
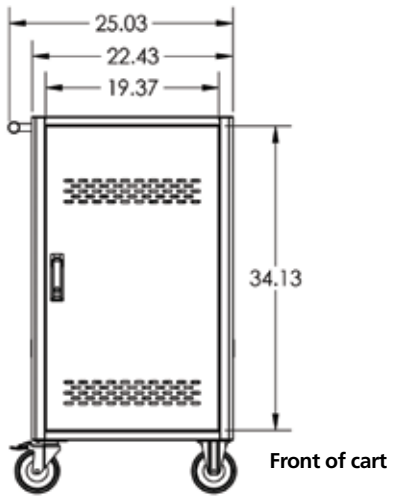
*Back of cart, open, populated,
detailed view*

30-Device iPad, Chromebook, Tablet, and Laptop Cart

Technical Specifications

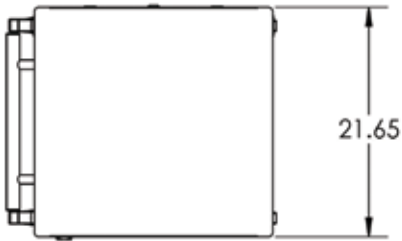
Approvals	UL® approved power strip
Assembled	LCC30H: No; LCC30H-A: Yes
Cable Access	Side sections each have a 1.43" diameter hole
Color	Gray
Construction	Steel with vented sides
Device Capacity	30 iPads, Chromebooks, and/or tablets
Locking	Key: Locking front door and rear access panel for easy cable management (keyed the same)
Power	Input: 110–120 VAC (6-foot attached power cord included), 50/60 Hz, Plug type: 5-15P, Outlet type: 5-15R; Outlet count: (36), via (3) 12-outlet power strips; On/Off switch: Yes
Dimensions	Storage Slots: (10) per shelf; Height: 10" (25.4 cm); Height (with cable management bar): 9" (22.9 cm); Width: 1.4" (3.56 cm); Depth: 14" (35.56 cm); Cart: 40.75"H x 25.03"W x 21.63"D (103.5 x 63.6 x 55 cm) Shipping Carton: 48.5"H x 35"W x 32"D (123.19 x 88.9 x 81.28 cm)
Weight Capacity on Top Surface	50 lb. (22.7 kg)
Warranty	Carts: Lifetime; Electronics: 3 years The Black Box Double Diamond Warranty is our no-questions-asked warranty that protects your Black Box carts and locker from manufacturer defects, accidental damages, liquid spills, and power surges.

Dimensional Diagrams

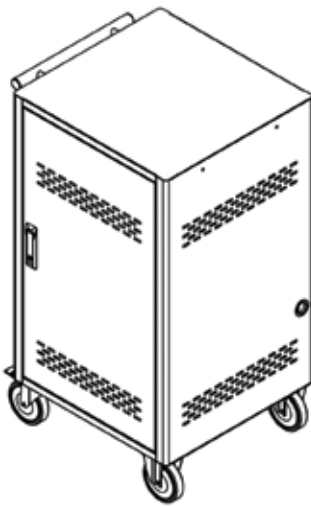


30-Device iPad, Chromebook, Tablet, and Laptop Cart

Dimensional Diagrams (Continued)



NOTE: Add cable management (LCC30HC, LCC30H-AC) and timers (LCC30HT, LCC30HT2, LCC30H-AT, LCC30H-AT2) or both (LCC30HCT, LCC30HCT2, LCC30H-ACT, LCC30H-ACT2).



Ordering Information

Item	Code
30-Device iPad, Chromebook, Tablet, and Laptop Cart Assembled	LCC30H-A
Includes CARTTIMER1	LCC30H-AT
Includes Front Cable Management Bars (LCCCM)	LCC30H-AC
Includes CARTTIMER1 and Front Cable Management Bars (LCCCM)	LCC30H-ACT
includes UCCTIMER2	LCC30H-AT2
Includes UCCTIMER2 and Front Cable Management Bars (LCCCM)	LCC30H-ACT2
Unassembled	LCC30H
Includes CARTTIMER1	LCC30HT
Includes Front Cable Management Bars (LCCCM)	LCC30HC
Includes CARTTIMER1 and Front Cable Management Bars (LCCCM)	LCC30HCT
includes UCCTIMER2	LCC30HT2
Includes UCCTIMER2 and Front Cable Management Bars (LCCCM)	LCC30HCT2
You might also need...	
2-Bank Timer	UCCTIMER2
4-Bank Timer	CARTTIMER1
Front Cable Management Bars	LCCCM

About Black Box:

Black Box is a leading technology product solutions provider that helps customers build, manage, optimize, and secure their networks. The Black Box quality management system is ISO 9001:2008 certified, and the company has received numerous industry recognitions. Black Box provides its customers with free, 24/7 pre- and post-sales technical support. The Black Box catalog and Web site offer an extensive range of infrastructure products including Cabling, Cabinets & Racks, Data Center Cooling Solutions, Power & Surge Protection, and Environmental Monitoring.

Disclaimer:

Black Box Network Services shall not be liable for damages of any kind, including, but not limited to, punitive, consequential or cost of cover damages, resulting from any errors in the product information or specifications set forth in this document, and Black Box Network Services may revise this document at any time without notice.

© Copyright 2015. Black Box Corporation. All rights reserved. Black Box® and the Double Diamond logo are registered trademarks of BB Technologies, Inc. UL is a registered trademark of Underwriters Laboratories. Any third-party trademarks appearing in this publication are acknowledged to be the property of their respective owners.